

Community Governance in Birmingham: The Next Decade

Paper 1: Introduction and Background



&(- &(

 ' + (' &) & * !) &%) + # * *!&% % &- * & () ' &%

 " (&+% % &%* .*

T 

T  

T "



T 

&, (# , !) ! &% &(%

T  

"   

T  

#&)) (/ & - &() % ' ())

' & !(\$!% \$!)*(!*) % - ()

&;/D%& A&(< /-<D+A A(/- /-A(-D(-% (-A/ A& <D,,; F F -A A/ - +
; -% /" 1 /1+ A/ /,, -A /- /D; /,,D-(AH /E ; - - E(F5
&(< F(++ < A A& "; , F/* "/; A& "DAD; E +/1, -A /" /D; +/ +
./; H - +/ + <; E(+(E ;H5

(;,-%& , (AH /D- (+ & < "/; , -H H ;< - A A& "/; "/-A /"
""/;A< A/ ;(-% (</-', *(-% +/<; A/ +/ + 1 /1+ 5 & E
; /%-(< A& A A&(< (< (% (AH F(A& + ;% /D- (+ /; % -(< A(/- A& A -
</, A(, < < , ; /A - ("(D+A A/ F/* F(A&5 DA A& ; (< +</
%; A (E ;<(AH - E(; - H (- /D; +/ + /,,D-(A(< - &;(A % /"
(E(1;(- %// %/E ; - - A& A <A; A & < * A/ A& ;+H H ;< /"
A& (AH:< &(<A/H5

A (< &(<A/H A& A (- +D < <D <<"D+ - (%& /D;&// "/;D,< -
;<(-A<: <</ (A(/-< F ; /,,(AA < - G1 ;(, -A< F(A&
- (%& /D;&// , - % , -A /,,D-(AH D % A(-% - - (%& /D;&//
1+ --(-%5

& ; & < +/-% - ;/<<'1 ;AH D- ;<A - (-% A& A (;,-%& , (< -/A
)D<A F&/+ (AH DA 1 A &F/* /" 7 +/D;(<&(-% (%& /D;&// <8
7 (; -A ; - (++ % <8 - /,,D-(A(<5 & ; "/; /D; /,,D-(AH
%/E ; - - ;; -% , -A< F(++ +F H< - A/ " + G(+ - +/ ++H
; + E -A5

- CJJ\$ "A ; "/D; H ;< /" (-A -< A /-<D+A A(/- - 1+ --(-%
"/++/F(-% A& ; /,, - A(/-< /" A& (- 1 - -A ./; H
/,,(<</- (;,-%& , A/* ; (+ <A 1 F(A& A& (-A;/ D A(/- /"
E/+E (<A;(A /,,(AA <5 &(< 1 << /F- </, (</- , *(-%
- D % A< A/ A& /,,(AA < - +/ +(< A& +(E ;H /" <; E(<
A&;/D%& ; -% /" ./ +<5

K /,1; & -<(E 1+ - "/; & -%(-% A& ;/+ /" A& (AH /D- (+ F < < A
/DA5 & (-A -A(/- F < A/ <A +(<& - (%& /D;&// , - % , -A - A/
F/* (- 1 ;A- ;<&(1 F(A& /,,D-(A(< - /A& ; % - (<5

/A -/D%&/" A&<E<(/- &< -; +(< - F - A/+ ; - A&
+ <</-< "/, A& A5 - * H + <</- (< A& A F ,D<A <A ;A "/, "/ D< /-
A& /,,D-(A(< - (- (E(D +< A& /D- (+ (< & ; A/ < ;E ; A& ; A& -
/D; (-A ; - + D; D ; H5 /,,D-(AH %/E ; - - (< -/A - 9 ':-: A/ A&
/;% -(< A(/- ! (A (< /DA A& <1;(A - , -- ; (- F&(& F /1 ; A 5 &<
A(, F ,D<A -<D; A& ; (< 7F&+/ /D- (+ & -% 8 (- F&(& ++ 1 ;A<
/" A& /;% -(< A(/- ; "/ D< /- +/ + 1+ < - ++ /D; <A "" -
/D- (++/;< + (E (- F/;*(-% F(A& /,,D-(A(< A/ &(E ; <D+A< ; A& ;
A& - +(E ;(-% A/1' /F- <A - ; (< < ;E(<5

& ;/+ - "D- A(/-</" +/ + %/E ;-, -A ; & -%(-% ; 1(+H <
"D- (-% (< ; <A(++H ; D - ; +H <A 1< ; A * - A/F ; < A&
(-A %; A(/- /" +/ + 1D +(< ;E(<5 -"/; A(/- A &-/+/%H &< ,/E /-
/E ; A& - ,/ ; < ;E(< - "D- A(/-< ; -/F /DA</D; A/
1;(E A /,1 -(< (,1 A(-% /- &/F 1 /1+ -% % (- ,/ ; H -
&/F < ;E(< ; +(E ; 5

/ /- "/, CJJ\$ (A (< A(, A/ A * <A/ * A/ ; E(< /D;
%/E ; - - - < ;E(+(E ; H ;; -% , -A< % (- (- A& +(%&A /"
& -%(-% A(, < - A/ , * & -% < A& A F(++ A * D< A&;/D%& A& - GA
5

D; ; - F E(<(/- ,D<A /DA 7AD; -(-% A& /D- (+ (-< /DA8 -
1DAA(-% /,,D-(A(< - (A(l -< "(;<A5 ; "/, ; A; A(-% "/, /D;
/,,(A, -A A/ +/ +(<, - /,,D-(AH ,1/F ;, -A F ,D<A A * (A
"/;F ; (- ,D & ,/ ; ; (+ F H A& A - A;D+H , * (" ; - A/
1 /1+ :< +(E <5 ,D<A -<D; 1 /1+ " + A& H & E ,/ ; < H (- +/ +
(<(/-< A& A "" A A& 1+ < F& ; A& H +(E 5

/ / A&< F F(++ - A/ ; 'A&(-* /D; (/" 1D +(< ;E(< - (E(
</ (AH ! ; D(+ (-% A& , "/; A& & -%(-% F/+ (- F&(& F +(E 5
F -A A/ 1 ; < ;E A& /,,D-(AH <1 < - A& E +D < A& A %(E D<
& +A&H ,/ ; H - (E(</ (AH - -<D; A& A < ;E(< ;
/D-A + A&;/D%& + A /D- (++/;<5 DA F +</- A/ ; A
< ;E(< A& A ; + A/ "/ D< /- D<A/ ; ; ; 01"/+ +

& E(F F(++ D+A(, A +H 1;/E(/D; ; <1/-< A/ A& 1;/1/< +< "/;

&(< /-<D+A A(/- (< /DA A& 1;/1/< +< /1A(/-< - (< F ;
G1+;/(-% (-/D; /,,D-(AH /E ; - - E(F5 & E(F (<
/- ; - F(A&

& "DAD; /" /D; ,/ ; A(;; -% , -A< F(A&(- A& (AH <D & <
(<A;(A - F ; /,,(AA < - - (%& /D;& // / (<

& /,,D-(AH + ;&(1 ;/+ /" + A /D- (++/;< - /A& ;< -
&/F 1 /1+ - /;% -(< A(/-< - F/* (- 1 ;A- ;&(1 (- +/ + 1+ <

& "DAD; /" /D; +/ + < ;E(< ! &/F F /;% -(< A& , - F& A F(++
+(E ;

& 1;/1/< + "/; /F- /D- (+ "/; DAA/- /+ "(+

-H/" A& (<<D < (< D<< (- A&(< 1 1 ; F(++ ; << /E ; A& H ;
& /; /E ; A& +/-% ; A ;,5 &(< /-<D+A A(/- F(++ <D11/A H "(E
< 1 ; A 1 1 ; < 1D +(<& AF - -/F - 1A , ; CJ0#

\$0- ;;;8- 6. 644;51:? 6<-85)5+- 15 18415/0)4 ! +/*(-% A +/ +
,/ ; A(<A;D AD; < ! 1D +(<& +/-%<(A&(< (-A;/ D A(/- 2 1 ; C3

#;::65 63,D-3, \$6=5 6;5+13 C 51:1)3 5)3?919 2 1 ; B3

#;::65 63,D-3, \$6=5 6;5+13 C 15)3 "-97659- ! A/ 1D +(<& (-
A& <D,, ; 2 1 ; \$3

- = !)8:5-89017 *:-=--5 1<1+)5, 1<13 ! &/F - (%& /D;& // < -
/,,D-(A(< - -% % (-/D; ,/ ; H - , * A& (; /-A;(DA(/- !
A/ 1D +(<& (- A& <D,, ; 2 1 ; #3

\$0- ;;;8- 6. 6+)3 #-8<1+-9 15 18415/0)4 ! A/ 1D +(<& (- A&
<D,, ; 2 1 ; ?35

& ; F(++ +</ <1 (" /-<D+A A(/- /- A& A (+< /" , -H/" A& <
& -% < A + A ; A 5 59:-), 6.) 65- 6.. +659;3:):165 ==)5: :019
:6 *-) +65<-89):165)*6;: +0)5/- .68 :0- *-:-8 :0): =133 +65:15;-
:086;/0 :0- 465:09)5, ?-)89)0-),

\$019 151:1)3 +659;3:):165 =133 8;5 ;5:13)8+0

\$0- +;88-5:)88)5/-4-5:9

& D;; -A ;; -% , -A< "/; /,,D-(AH %/E ;-- (- (;,-%& ,
(- +D

& "D++ (AH /D- (+ F&(& /-<(<A</" 0CJ , , ;<";/, \$J F ;< -
, A< ,/-A&+H5 & /D- (+ 11;/E < A& --D + D % A &/+ < A&
; - (- A A/ /D-A - ; (E < < ;DA(-H ; 1;/A< /,1(+
H -/' (- A , , ;< - 1 A(A/-< "/; /; ;<(- A<

K ; - (- A <H<A , "/; <A; A %((</- , *(-%

(- E ;E (F - ;DA(-H /,,(AA < 21+D< AF/)/(-A +A&
E ;E (F - ;DA(-H /,,(AA < 3 A/ &/+ A/ /D-A A& (- A
- A/ /- D A 1/+(H E +/1, -A F/* F&(& (< ; 1;/A A/ A& "D++
/D- (+ - 1 << /- A/ A& (- A < ; /,, - A(/-<

- (<A;(A /,,(AA < <A +(<& (- CJJ\$ /E ;(-% A& < ,
/D- ;(< < A& ;+(, -A ;H /-<A(AD - (</" A& (AH -
/-A (-(-% 0C /D- (++/;< + A A/ A& "/D; F ;< (- & (<A;(A5 &
/,,(AA < & E </, (</-' , *(-% 1/F ;< 1 << /F- "/; /, A&
(- A - (- +D (- A& /D- (+< /-<A(ADA(/- 11;/E H A& "D++
(AH /D- (+

K ; -% /" 11;/ & < A/ 1;/E((-% +/ + < ;E(< &/< - A/ &(E
"" A(E - ""((-A , - % , -A F&(+<A +/ +(<(-% A& , < ,D & <
1/<<(+ 5 - CJJ\$ A& ,/ +< F ;

05 ;E(< , - % -A; ++H ! 5%5 ,D< D,< A& (; ;H /"
(;,-%& , - F <A (<1/< +

C5 G(<A(-% +/ + /DA+ A< A& A , D- ; (<A;(A , - % , -A ! 5%5
- (%& /D;&/ /"" (< /,,D-(AH + (; ; (< /,,D-(AH -A; <

B5 ;E(< , - % -A; ++H DA F(A& +/ +(< D % A< A/ ++/F "/;
+/ + (-"+D - - 1+ --(-% ! 5%5 1D +(/-E -(- <

\$5 ;E(< D- ; +/ + , - % , -A A& /D%& 7 ;E(E +
K% ; , -A<8 AF - A& (<A;(A - A& < ;E(< AA(-% /DA A&
<A - ; /" < ;E(A/ 1;/E(- ; E(F --D ++H5 & <
& "D++H +/ +(< D % A< DA A& < ;E(F < <A(++ + (E ; "/;
<1 (" +/ A(/-< <D & < 1/A< ! 5%5 ; "D< /++ A(/- <A; A
+ -(-% 1 ; * < - % ; /D- < , (-A - -

#5 ;E(< A& A F ; "D++H +/ +(< ! (5 5 ++ <A "" , - % , -A -
D % A< ,/E A/ /-<A(AD - H /"" (< ! A& (< (- +D)D<A < , ++
-D , ;" < ;E(< <D & < 1 <A /-A ; + +/ + ; 1 ; * < +/ + ; A<
E +/1, -A /,,D-(AH E +/1, -A - 1+ H5

COMMUNITY GOVERNANCE IN BIRMINGHAM: THE NEXT DECADE

In 2010 responsibility for road maintenance and street lights passed to the private finance Initiative contract it may these services were in category three above In 2012 Districts were given further powers in particular responsibility for oversight of the council housing service

ward committees in each of the city's 10 electoral wards each consist of three local councillors elected in that ward their role is to involve local communities in decision-making and until recently they also controlled the small community trust budget for local initiatives they also support the neighbourhood or masterplan approving small grants for communications to residents

number of neighbourhood or masterplans cover about a quarter to a third of a ward or masterplans are community led organisations that enable residents to meet together and raise local issues as well as taking their own initiatives to improve the neighbourhood residents' associations also perform a similar role but are not supported financially by the city council

housing liaison boards and tenant management boards provide for tenant engagement and management of the council housing service

neighbourhood council at rankley in the south east of the city

number of community organisations providing local services and community engagement in specific neighbourhoods such as the castle ale community housing association and itton ode community association

6= :0- +65:->: 0)9 +0)5/-,

; /%-(< A& A A& /-A GA "/; +/ + <; E(< - +/ + %/E ; - - & <
& -% ; , A(++H (- A& + <A - A& A A&(< ; 6D(; < D< A/ ; E(F
&/F F D;; -A+H 1;/E(+/ + <; E(< - ; 1; < -A /; -% % F(A&
+/ + /,,D-(A <5 &(< & < - A& /- +D<(/- /" /D; /F- <; DA(-H
; E(F< A& F/* /" /D; (-A ; - + / +(< A(/- /; - A& ; -A
; <+ * E(F /" /; 1/; A /E ; - - 2< 1 % 0#35 /, /" A&
,/<A (,1/A -A A&(-%< A& A & E & -% ;

& ; <A(; D A(/- (- "D- (-% "/; +/ + %/E ; -, -A F&(& , -< A& A

A\$8173- -<63;;165B

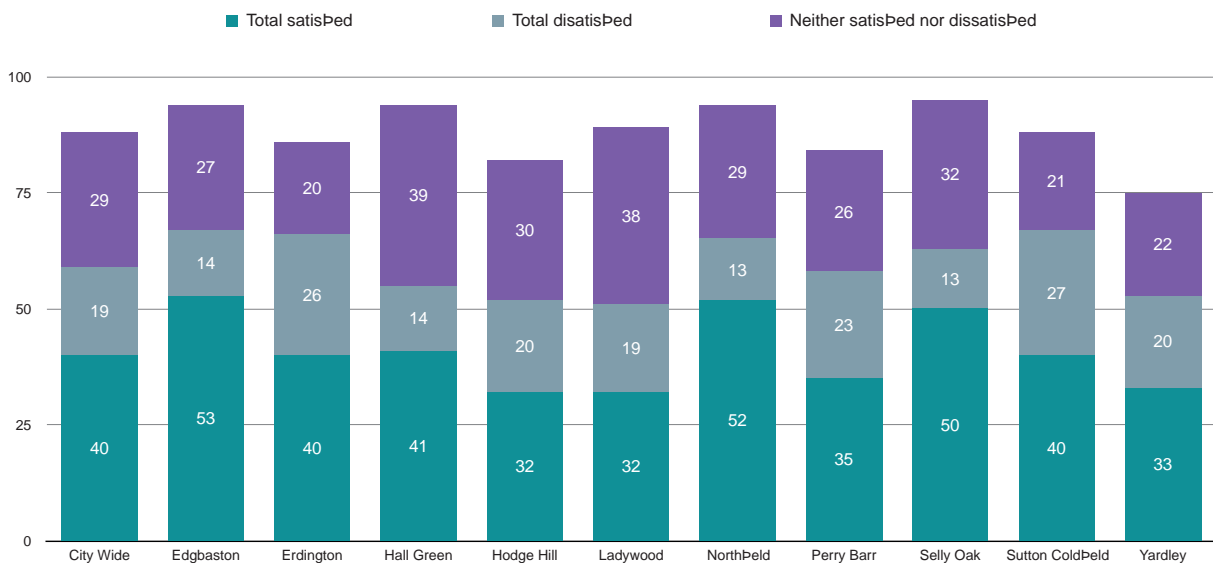
(;(-%& , (< + ;% (AH DA (A (< /--+H 1 ;A /" ,D & + ;% ; /-D; A(/-

9A; E + A/ F/;*: ;; -% , -A< //<A(-% ; %(/- + %;/FA& - 6D +(AH /" +(" A - (%& /D;& // + E +5 // <(%- /" /,,D-(AH <;E(< A A& - (%& /D;& // + E + - & +1 (,1;/E ,1+/H, -A 1;/<1 A< - /-A;(DA A/ A& /E ; ++ <*(++< 1;/"(+ /" A& (AH F/;*/"; 5

(6;8 <1-9

&(< (< -/A A& <A ;A /" A& /-<D+A A(/- /- A& /,,D-(AH /E ; - - E(F5 & 1/0*;8? 65<-5:165 (- /E , ; CJ0\$ *(* /" A&(< ; E(F - ;/D%&A A/% A& ; 0CJ 1 /1+ "/; A& 1D +(1;(E A - E/+D-A ;H - /,,D-(AH < A/;<5 /, * H /- +D<(/-< ; <D,, ;(< (- A& /G /- 1 % 0\$5 & E +</ & + </, "/ D< %;/D1< F(A& , , ;< /" A& /1+ < - + 2 %;/D1 /" /E ; 0 JJJ ; <(- A< F&/ F /-<D+A ; %D+ ;+H3 A/ <<<< AA(AD < A/ E/+DA(/- F(A&(- A& (AH5 D; ; %D+ ; /1(-/- <D;E H< +</ 1;/E(E +D + " * /- H/D; 1 ; 1A(/-< /" +/ + ,/ ; H - <;E(<5 /; G ,1+ F A; * 1D +(1 ; 1A(/-< /- (<<D < A/ / F(A& ,/ ; H % (-<A A ;% A< F & E < A5 & & ;A +/F <&/F< A& F(E ;(A(/- ;<< (<A;(A< (- < A(<" A(/- F(A& &/F H/D - % A (-E/+E (- +/ + (</-', *(-%5 D; A ;% A "/; A&(< , <D; (< #J4 - A&(< (< , A (-)D<A A&; /" A& A - (<A;(A< A 1; <-A5

#):19.)+:165 =1:0 :0- 8)5/- 6. ,1..-8-5: =)?9 :0): ?6; +)5 /-: 15<63<- , =1:0 15E;-5+15/ 36+)3 ,+19165 4)215/



° D, ;< (- 1 ; -A % <

-? +65+3;91659 .864 :0- 1/0*;8? 65<-5:165

/ D(+ "" A(E 1 ;A- ;&(1 F/*(-% A (AH'F(+E + F
- A/ <A ;A "/, %; (-% A& /DA /, < F F -A - &/F F
- (-A %; A < ;E(< "+ G(+H A/ +(E ; A& ,

& (<A;(A ,/ + (< %// /- - , -H ; /,,(AA A/
, *(-% (A F/*5 "" A(E E/+DA(/- (< /DA & ; - <<(-% ++
; </D; < "/, ++ <A * &/+ ; (< - - ; -/A)D<A /DA & -%(-%
%/E ; - - <A;D AD; <

- A/ ,/E F H "/, /- 'F H A/1' /F- E(F /"
/,,D-(A(/- - <;E(+(E ;H5 & ;/+ < /" (<A;(A< (-
;(-%(-% 1 /1+ A/% A& ; A/ A *+ +/ + (<<D < - A/ ,
+ ; ; A/ ; (< -A< - <1 (++H H/D-% 1 /1+ 5 (<A;(A< ;
E(<(+ 1; < - /" A& /D- (+ (- +/ + ; - - + +/ +
/,,D-(A (< - 1;A- ; /;% -(< A(/-< A/ /,,D-(A AA ;
F(A& A& /D- (+

H(-% E ;HA&(-% <&/D+ +/ + (< -/A A& -<F ;= F & E A/
%; F& ; ,/; +/ + (<(/-' ,*(-% - +(E ;H 1;/ D <
A& <A ; <D+A< "/; 1 /1+

& ; ; +/A /" %// G ,1+ < /" +/ + %/E ; - - (-
(;(-%& ,5 - A/ + ; - "/, A& < - A(E +H -% %
(A(I -< (- G(<A(-% %/E ; - - ,/ +< , -H /" F&(& ; F/*(-%
F ++ - - A/ * 1A - (,1;/E

- (" ; -A %/E ; - - ,/ +< A/ -% % A& (E ;<
/,,D-(A (< (- A& (" ; -A - (%& /D;& // < /" /D; (AH5 & <
,D<A -A; /- - +(-% (- 1 - -A A(/- D(+ (-%
/,,D-(AH 1 (AH - ;(-%(-% +/ + 1 /1+ A/% A& ;

" F F -A (E(%// F - <A;/-% (E(+ </ (AH5 ++ -
A/ & -% /D; & E(/D; ! /D- (+ /" (;< + A , , ;<
D<(- <<< E/+D-A ;H /;% -(< A(/-< /,,D-(AH %;/D1< (A(I -< !
A/ , * A&(< & 11 -5 /,,D-(AH %/E ; - - - < A/ <
/- <A; -%A& -(-% (E(+ </ (AH

- A/ G1+((A /DA A& /DA /, < F F -A A/ &(E
- E +/1 - %; E +D <' < /++ A(E + ;&(1 /" A&
(AH F&(& ,/-<A; A < A& < <& ; E +D < A&;/D%& (A<
& E(/D;5

"-3-<)5: 9+8;.15? 8-<1-=9

-? 8-+644-5,):1659 15 :0- -893)2- "-<1==

& ; A ; H / " A A < & / D + , / E (; , (- % & , (A H / D - (+ A /
9 ++ / D A : + A (/ - < E ; H " / D ; H ; < ; 1 + (- % A & D ; ; - A + A (/ - H
A & (; < 2 (- F & (& / - A & (; / " / D - (+ + / ; < ; + A & H ; 35 & (<
F (+ + (, 1 + , - A (- C J 0 > 2 ; 5 \$ 3

& / + / E ; - , - A / D - ; H / , (< < (/ - " / ; - % + - < & / D +
/ - D A - + A / ; + E (F A & A ; " + A < G (< A (- % / , D - (A (< 5 A
< & / D + (, A / / , 1 + A (A < F / ; * A / - + + A (/ - < H H C J 0 > 5
& (< < D < A & A A & / , (< < (/ - F (+ + + / * A ; < D , , ; (< (-
1 ; C 2 ; 5 \$ 3


& / D - (+ < & / D + " / D < / - (, 1 ; / E (- % < (< ; E (< - F & ;
11 ; / 1 ; (A / ; % - (< A & , (- A / " / D ; \$ 3
A & (; / 0 1 A & , - 1.18 / 10 1 " / -

;8 4199165)5, <)3;-9

D; ,(<</(- (< A/ 7, * 1/<(A(E (" ; - E ;H H A/ 1 /1+ :< +(E <85
& E +D <F F -A A& (AH /D- (+ A/ /1A ; 1DAA(-% ; <(-A< "(<A
A(-% /D; % /D<+H (-% A;D A/ /D; F/; - &(E(-% G ++ - 5
& "DAD; /" /D; /,,D-(AH %/E ;- - - < A/ <D11/;A A& ,(<</(-
- E +D <5

\$0- 6;:+64-9 == =)5: :6)+01-<-

&(< /-<D+A A(/- (< /DA /D; E(</(- /" &/F A&(-%< F(++ & -% "/; A&
AA ; (- A ;;< /" &/F A& (AH (< ;D- - A& +/ +< ;E(< (A< ; <(-A<
; (E 5 /, /" (A F(++ /DA <A;D AD; < /" (</-', *(-% -
< ;E(, - % , -A DA A& < ; /-+H , & -(<, "/; &(E(-% /D;
(%% ; (<5 K< ; "+ A (- /D; ,(<</(- <A A , -A /E F& A , AA ;< (<
A& (" ; - ++ /" A&(< , * < A/ A& +(E < /" A& 1 /1+ /" (;,(-%& ,5
F(++ /-+H < ; + & -% (" F - & -% A& F H F F/* ! /D;
7/;% -(< A(/- + D+AD; 8! - A;D+H +(E H A& ,(<</(- - E +D < < A /DA
/E 5

D; /E ; ++ ;/+ - A& %/ +< - /DA /, < F F -A A/ &(E ; < A
/DA (- A& ;;< /+(H A A , -A - A& 8): ;915-99 !3)5 .68
2  35

A=063- +6;5+13B)7786)+0 :6 +0)5/-

& /E ; ++ (, /" /D; ; (+< ;E(; <(%- %- (< A/ 7AD;- A&
/D- (+ (< /DA8 - -<D; A& A F "/ D</- A& - < - 1;/;(A (<
/" (A(I -< -/A A& (AH /D- (+;< /F- (-A ; - +<A;D AD; < -
, - % , -A5

/E ; - - (< - << -A(+ 1 ;A /" A&(< & -% D< (A (< /DA
/D-A +(AH - ,/ ; H5 ,D<A ; A < ;E(< A& A % -D(- +H
+/-% A/ A& ; D< ;< - A/ A& (A(I -< /" A& (AH < F&/+ 5 ,D<A
1DA %; A ; ,1& <(< /- /,,D-(AH + ;<&(1 /,,D-(AH
,1/F ;, -A - 1 ;A- ;<&(1 - + << /- "/; , + /D- (+ <A;D AD; <
D % A< - < ;E(, - % , -A5 ,D<A (1+ , -A & -% A&/D%&
7=063- +6;5+138 11;/ & 2F(A& ++ 1 ;A< /" A& /;% -(< A(/- & -%(-%
A/% A& ;3 -/A H (-% /- - F "D- A(/-< A/ D- & -% -A; +
<A;D AD; <5

- (A(/- F ,D<A F/* ,/; < 7F&/+ (AH8 ! ++/F(-% /A& ;< A/ A *
A& + - F/*(-% +/< +H F(A& A& D<(- << /,,D-(AH /A& ; 1D +(
% - (< - (E(+ </ (AH A +++ E +<5

; , (- /,,(AA A/ A& 1;(- (1+ A& A (;(-%& , (< (AH A& A
- /A ;D- "/; , -A; + 1/(-A5 & <1;(A /" E/+DA(/- -
+ / +(< A(/- ,D<A -/A /-+H /-A(-D DA <A; -%A& - < F ; "/; ,
/D; /,,D-(AH %/E ; - - - + / + < ;E(<5 K< 1 ;A /" /D; ;(1+
E/+DA(/- / + A& + / + - (%& /D;& // < /" A& (AH F(++ ; , (- <
(,1/A -A < A& (AH - A& F(; (AH ; %(/- A/ & (E(-% %//
%/E ; - - 5

& "/ D< "/; E/+DA(/- F(++ <&("A "/; , (-<A(ADA(/- + <A;D AD; < A/ - AF/*<
- /,,D-(A(< - "/; , & - (-% /F- 1/F ; A/ <& ;(-% 1/F ; </ A& A
F & (E ,/; A/% A& ;5 F -A A/ ; A < ;E(< A& A F/* "/; A&
7'063- !3)+-8 - A& 7'063- !-896585 &(< , -< ; A(-% (-A %; A
< ;E(< F(A& <(-%+ 7"/;-A //;8 F& ; (""; -A % - (< -
1;/" <<(/- +< F/* A/% A& ; A/ , A ++ A& - < /" 1+ /; (A(I -5

70)9-, 786/8)44-

& +/-%'A ; , 1+ -< "/; & -% /DA+(- (- A& < ; 1/A< F(++ -/A
+(E ; (- /- ,/-A& /; /- H ;5 &(< F(++ 1;/ << /" & -%
<A; A &(-% /E ; < E ; + H ;<5 K< , ++ -D, ; /" & -% < F(++ A * 1+
F(A&(- A& "(;<A H ; DA A& ; F(++ , -H ,/; /11/;AD-(A(< A/ -% %
(- /-<D+A A(/- < F ,/E /- A/ (,1+ , -A (""; -A <A % < /" A&
1;/%; ,, 5

\$0- 9:8;+::8)3 .8)4=-682 =-)8- 78676915/ :6 =682 :6=)8,9

1: ? 6;5+13) *15-:)5,) 9:8-)4315-, 9+8;:15? .;5+:165

"/ D< /- < AA(-% - , (-A (-(-% A& /E ; ++ (; A(/- "/; A& (AH
<A; A %(+ ; <&(1 D % A < AA(-% 1 ;"/; , - , -% , -A -
/,,(<</(-(-%

-= 9:8):-/1+ 7)8:5-89017)88)5/-4-5:9 ;(-%(-% A/% A& ;

D<(- << 1D +(< A/; - (E(+ </ (AH 1 ;A- ;< A/ 1;/E(
/++ A(E + ;<&(1 - < A /DA <& ; +/-%'A ; , 1+ -< "/; A& (AH

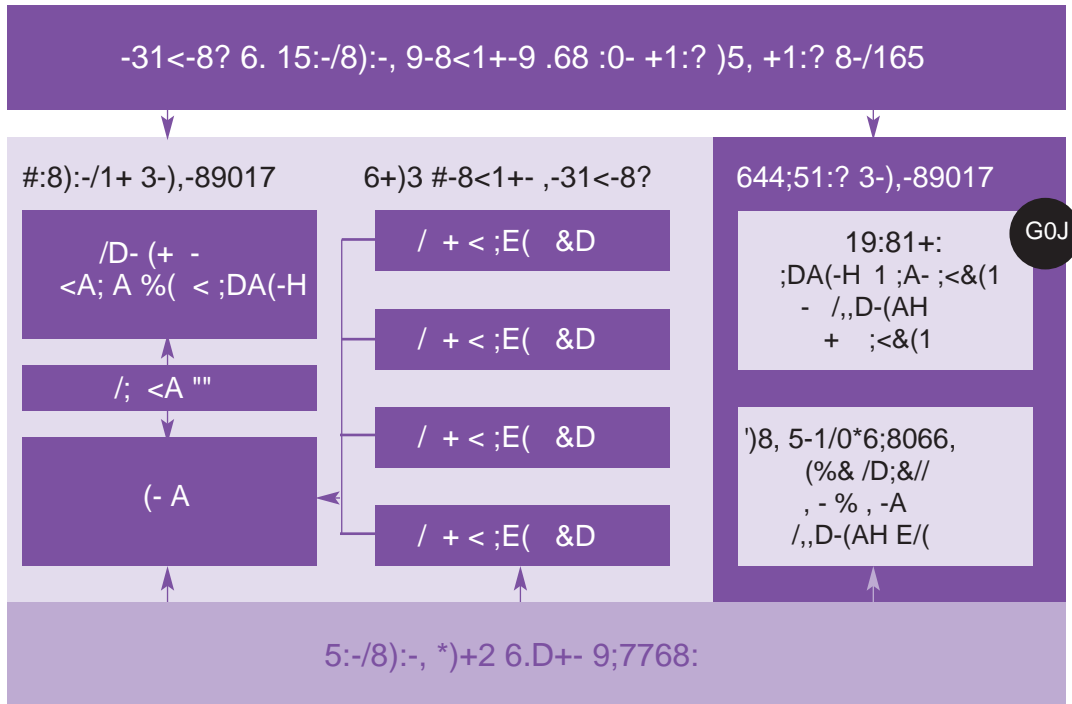
<-8? 94)33 9:8):-/1+ +-5:8- "/ D< /- <D11;/A(-% A& 1/(A(+
+ ;<&(1 E +/1(-% GA ; - + 1 ;A- ;<&(1< - - AF/;* < -
<A; A %(/,,(<</(-(-%5 &(< F(++ E -AD ++H /-<(<A /" D-("(
<A;D AD; ; A& ; A& - < 1 ; A (; A/; A <

5 15:-/8):-, +68768):- 9;7768: 9-8<1+-9 .;5+:165 1;/E((-%
""((-A 7 * /""(8 <D11;/A A/ A& <A; A %(-A; - ++ A&
+/ +(< /; 7 ; ,<' + -%A&8 < ;E(+(E ;H "D- A(/-<

!;*31+ -)3:0 #6+1)3)8-)5, 9;7768: 9-8<1+-9 :6 -,;+):165
/1 ; A(-% (- +/< 1 ;A- ;<&(1 F(A& A& < &/+< - +/ +
1;/E(;< A (AH'F(- ,/; +/ ++ E +

6;8 6+)3 #-8<1+- ;*9 +(E ;(-% ,/; +/ + < ;E(<5 & < F(++
A& , & -(< , "/; &(E(-% A; -<"/; , A(/- (- A& 6D +(AH /"
+/ + < ;E(< - A& D<A/ , ; < ;E(< A& A 1 /1+ ; (E 5 &

1)/8)4 906=15/ :0- 6<-8)33 .8)4=-682 .68 +0)5/-



19:81+: 6441::-- - /,,(AA < /" 0C /D- (++/;< (-A;/ D (-
(;,-%& , (- CJJ\$ & /E ;(-% A& ; /" /-
;+(, -A ;H /-<A(AD - H 2"/D; F ; <35 - ; A&
CJJJ K A A& H ; 7K; /,,(AA <8 A/ F&(&
(</-', *(-% 1/F ;< , H E/+E H A&
(- A5

3-+:68)3 "-<1-= K ; E (F ;;(/DA H A& / + /E ;-, -A
/D- ;H /,,(<</- /; H A& /D- ;H
/,,(<</- "/; -%+ - (- A& < /"
;+(, -A ;H < A<5

6<-85)5+- & F/; D< A/ <;(A& F H (- F&(& 1+ <
; %/E ;- H /A& + A 1/(A (-< -

-1/0*6;8066,
)5)/-4-5:
(" ; -A +/ + < ;E(< - /;% -(< A(/-< F/;*(-%
A/% A& ; F(A& ; <(-A< - D<(- << < (-
- (%& /D;& // A/ "/ D< /- 1;(/;(A(< - <& ;
; </D; <5 /, A(, < (%& /D;& // - % ;
(< 11/(-A A/ -<D; //; (- A(/- - 1;/E(
<(-%+ 1/(-A /" /-A A "/; ; <(-A<5

-1/0*6;8066,
!3)5
K 1+ - < AA(-% /DA 1/((< "/; A& 1&H<(+
E +/1, -A /" - (%& /D;& // 5 - ; A&
/ +(<, K A CJ00 (A , H ; F- D1 H
; /%-(< +/ + / (< <D & < "/;D, /; 1 ;(<&
/D- (+5 & H ,D<A (- +(- F(A& / +
E +/1, -A + <- - - A(/- + 1+ --(-% 1/(H
2< K11 - (G C /" 1 ; B35

-1/0*6;8066,
\$)9215/
;(-%(-% A/% A& ; +/ + ; <(-A< - /,,D-(AH
%:/D1< A& /D- (+ - A& 1/(A/ (< D<<
/,,D-(AH < " AH - -E(/-, -A + 1;(/;(A(< -
A/ 1+ - A(/- A/% A& ;5

<-8<1-=)5,
#+8;:15?
6441:'AD-8;:15?

(" ; -A 1 /1+ D< (" ; -A F/; < A/ <; (+/ + ; < /" (" ; -A
<(I <5 A&(-* (A:< (,1/A -A "/; 1 /1+ A/ + A/ 1 ;A((1 A (- A&
A /- /,,D-(AH %/E ; - - A&/D%&& E(-% < " ; < 1/<<(+
<& ; D- ;<A - (-% /" A& ; < (-% (< D<< 5 /(- A&< /-<D+A A(/-
1 1 ; F F(++ D< A& "/++/F(-% A ;;< (- A& F H< (- (A

644;51:? !A&< (< F/; F&(& - & E , -H (" ; -A , -(-%<5 A
, H , - E ;H<, ++ +/ + ; <D & < " F <A; A< /; /,,D-(AH /"
1 /1+ F&/ <& ; /,,/- *% ;/D- (-A ; <A /; (-A(AH F&(& , H
<1 ;< ; A& ; A& - /- -A; A (- /- +/ A(/-5 /; G ,1+ A&
(AH (< &/ A/ , -H (" ; -A A&- (/,,D-(A (<5 /, A(, < A& F/;
7 /,,D-(AH8 (< D< A/ , - E ;H/ (- A& (AH < F&/+ /,,D-(AH5
- A& < /D, -A< F F(++ D< A& F/; A/ , - (A& ; A&- (/; D+AD; +
/,,D-(A (< /; A&/< +(E(-% (- - (%& /D;& // 5

644;51:? /6<-85)5+- ! ; " ;< A/ A& 1;/ << /" ;D--(-% A& (AH
A&/D%& , /; A(; ; -% , -A< (- +D (-% + A ; 1 ;< -A A(/- <
F ++ < A& A(E 1 ;A((1 A(/- /" +/ + 1 /1+ - /;% -(< A(/-<5

-1/0*6;8066, ! - (%& /D;& // (< <, ++ ; /" A& (AH D<D ++H
/-(<A(-% /" D1 A/ /DA 0J JJJ 1 /1+ A& A (< (<A(-%D(<& H
/,,/- D- ;<A - (-% /" A& - , %(E - A/ A& ; H (A<; <(-A< -
/A& ; 1 /1+ (- A& (AH5 - - +H(<< & < "/D- A& A A& ; ; 0\$J <D &
; <(- A& (AH F(A& - E ;% 1/1D+ A(/- /" > #JJ5 & < ; A& ; "/;
7; + /D- ;(<8 - A& H /-A - A/ , A & A& + A/ ; + /; < ; E(
; < +/F5

3-+:68)3)8-)9 !A& < & E " (;+H ; (A; ;H /D- ;(<< + A A/ -<D;
;/D%&+H 6D + ; 1 ;< -A A(/- H + A 1/(A((-<5 K =)8, (< D;; -A+H
A& ; (- F&(& A& ; /D- (++/;< ; + A A/ A& (AH /D- (+ -
A& ; ; \$J F ;< (- A/A + (- A& (AH5 & H & E - E ;% 1/1D+ A(/- /"
;/D- C70534JJJ 1<001A& 1 + A&01 /D- A- 01< + ; %&+01- (%& /D;& //

!8

